



(12) **United States Design Patent**
Johnson

(10) **Patent No.:** **US D752,407 S**
(45) **Date of Patent:** **** Mar. 29, 2016**

- (54) **TOMAHAWK**
- (71) Applicant: **RMJ Tactical, LLC**, Chattanooga, TN (US)
- (72) Inventor: **Ryan M. Johnson**, Soddy-Daisy, TN (US)
- (73) Assignee: **RMJ Tactical, LLC**, Chattanooga, TN (US)
- (**) Term: **14 Years**
- (21) Appl. No.: **29/486,381**
- (22) Filed: **Mar. 28, 2014**
- (51) **LOC (10) Cl.** **08-02**
- (52) **U.S. Cl.**
USPC **D8/76**
- (58) **Field of Classification Search**
USPC D8/76-81; 7/145; 30/308.1; 144/195.5;
76/103; D22/117
CPC A62B 3/005; B25F 1/00; B25F 1/006;
B25F 1/02; B25G 1/04; B26B 23/00
See application file for complete search history.

D209,381 S *	11/1967	Reuterfors	D8/76
3,837,023 A *	9/1974	Spencer-Foote	7/145
D233,405 S *	10/1974	Frey	D8/76
3,882,560 A *	5/1975	Carrer	7/145
D243,314 S *	2/1977	Hedvall	D8/76
4,287,623 A *	9/1981	Tarran	7/158
D263,112 S *	2/1982	Ressel	D8/81
D289,887 S *	5/1987	Thomas	D8/75
D299,414 S *	1/1989	Bajza et al.	D8/105
D318,896 S *	8/1991	Crain	D22/117
D382,187 S *	8/1997	Hibben	D8/76
D402,874 S *	12/1998	Hall et al.	D8/76
6,397,420 B1 *	6/2002	Roxton	7/145
D518,343 S *	4/2006	Kelleghan	D8/38
D521,843 S *	5/2006	Hung	D8/78
D528,394 S *	9/2006	Lothe	D8/76
D593,833 S *	6/2009	Newhall et al.	D8/76
D604,136 S *	11/2009	Youngren et al.	D8/78

(Continued)

OTHER PUBLICATIONS

Kestrel Tomahawk. Downloaded Aug. 10, 2015 from <http://www.rmjtactical.com/kestrel-tomahawk/>.*

Primary Examiner — Philip S Hyder
Assistant Examiner — Roselynn Cody
(74) *Attorney, Agent, or Firm* — Chambliss, Bahner & Stophel, P.C.

(56) **References Cited**

U.S. PATENT DOCUMENTS

58,438 A *	10/1866	Lowman	7/158
D33,137 S *	8/1900	Duffy	D8/76
D45,761 S *	5/1914	Miller	D8/76
D49,666 S *	9/1916	Kuzmiak	D8/76
D51,773 S *	2/1918	Burr	D8/78
D54,326 S *	12/1919	Marusak	D8/76
D67,749 S *	7/1925	Faust	D8/76
1,561,647 A *	11/1925	Johnson	7/158
1,643,861 A *	9/1927	Szakacs	30/308.1
D85,297 S *	10/1931	Meyers	D8/76
D120,609 S *	5/1940	Arnsbarger	D8/76
D140,329 S *	2/1945	Stoddard	D8/76
D203,575 S *	1/1966	Dobbs	D8/76
3,245,094 A *	4/1966	Shandel	7/145

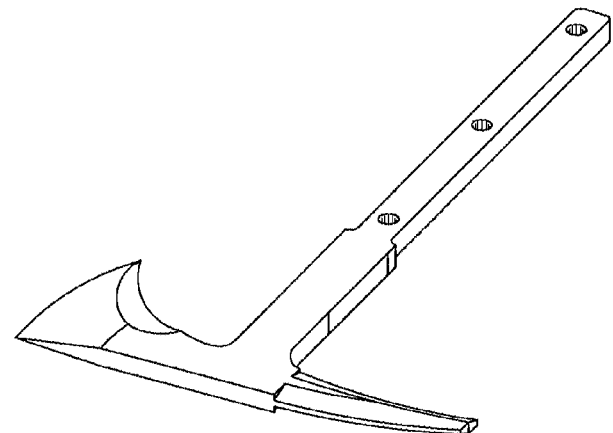
(57) **CLAIM**

The ornamental design for a tomahawk, as shown and described.

DESCRIPTION

FIG. 1 is a front view of the tomahawk.
FIG. 2 is a back view of the tomahawk.
FIG. 3 is a right side view of the tomahawk.
FIG. 4 is a left side view of the tomahawk.
FIG. 5 is a top view of the tomahawk.
FIG. 6 is a bottom view of the tomahawk; and,
FIG. 7 is a perspective view of the tomahawk.

1 Claim, 3 Drawing Sheets



(56)

References Cited

U.S. PATENT DOCUMENTS

D608,615 S *	1/2010	Knight	D8/76	D705,621 S *	5/2014	Tygh	D8/19
8,113,094 B1 *	2/2012	Brackbill et al.	81/138	D718,407 S *	11/2014	Lloyd	D22/117
D688,348 S *	8/2013	Christenson	D22/117	9,021,642 B1 *	5/2015	Fox	7/145
				2004/0261188 A1 *	12/2004	Mathis	7/145
				2006/0075572 A1 *	4/2006	Young	7/138

* cited by examiner

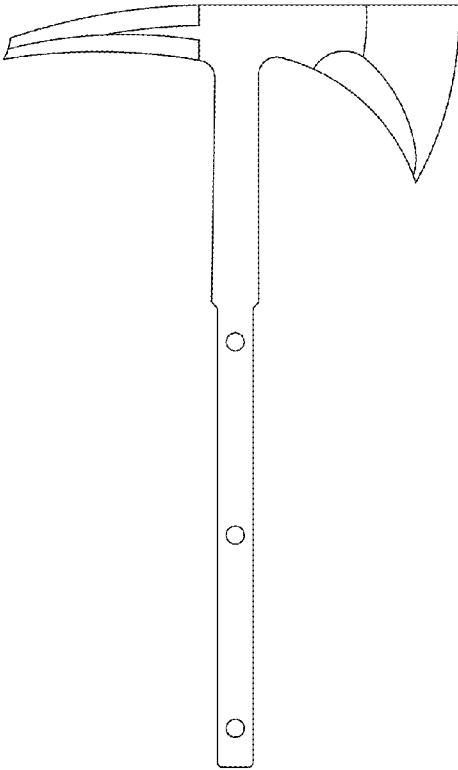


FIGURE 1

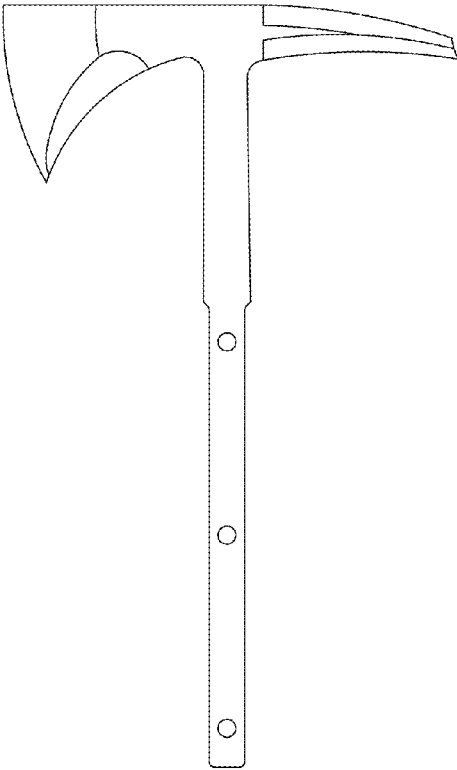


FIGURE 2



FIGURE 3

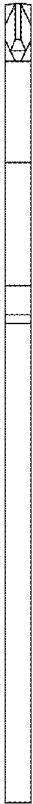


FIGURE 4

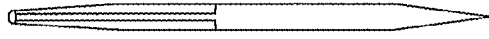


FIGURE 5

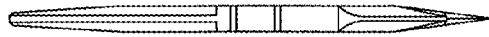


FIGURE 6

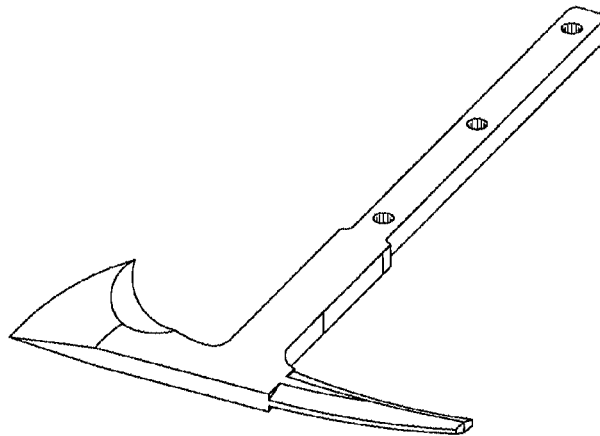


FIGURE 7